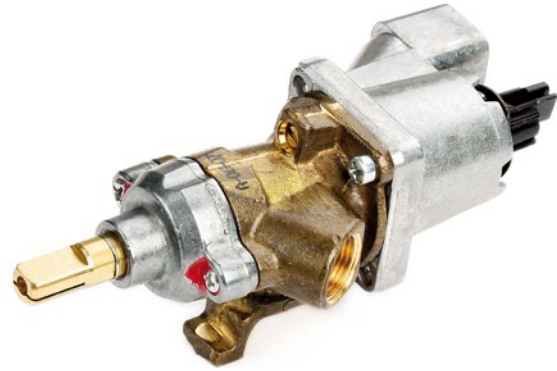


# MODEL 33-34

Two outlets thermostat without safety device



## Construction

**Body:** Forged brass  
**Cone:** Brass  
**Cap:** Die cast aluminium alloy  
**Spindle:** Brass

## Connections

**Standard Inlet:** Round 16mm. diameter (model 33, 33X)  
Threaded M13X1 (model 34)  
**Standard Outlet:** M13x1 female  
**Spindle dimension:** 8x6,5mm.  
Shape according to customer's request

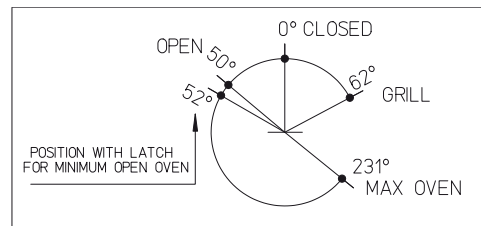
## Installation

**Maximum inlet torque:** 1,5 Nm (model 33, 33X)  
**Maximum outlet torque:** 15 Nm.

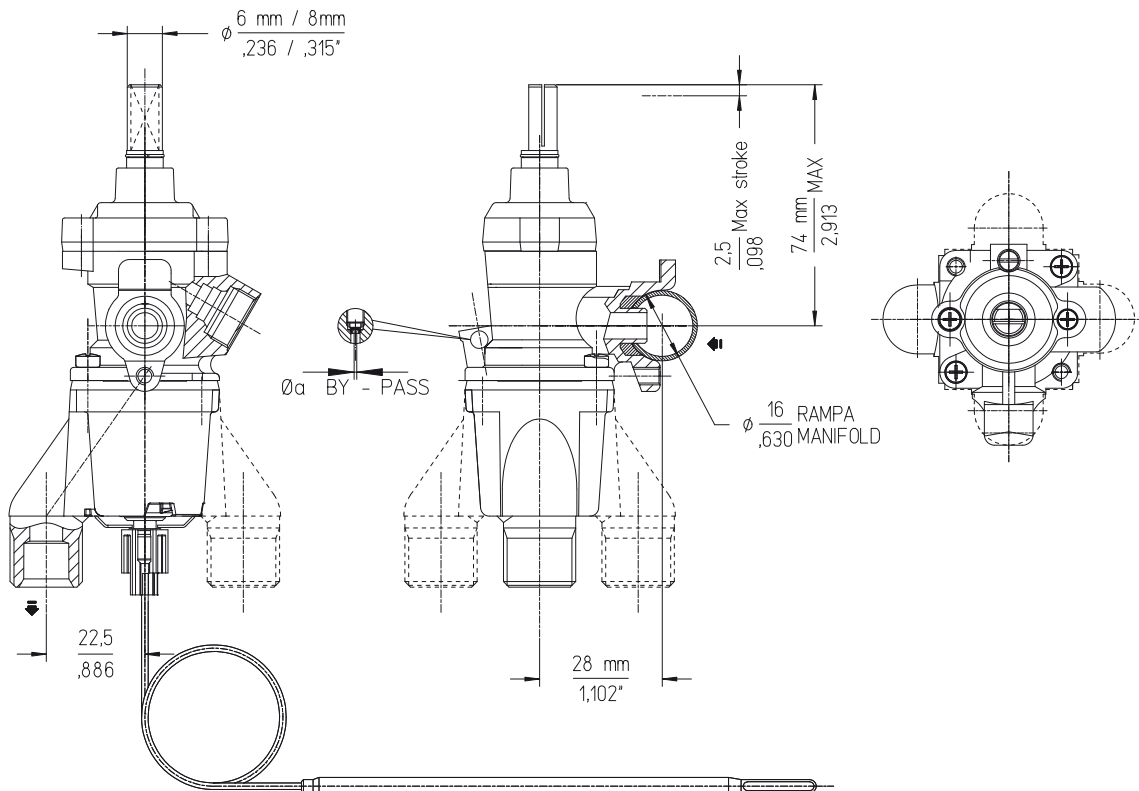
## Functional data

**Maximum working temperature:** 130°C  
**Maximum working pressure:** 65 mbar  
**Flow:** 570 l/h oven outlet – 450 l/h grill outlet  
**Internal leak tightness:** ≤ 20 cc/h  
**Stroke:** 2,5mm  
**Temperature setting range (from - to):** 120°C - 315 °C

## Spindle rotation diagram



## Overall dimensions

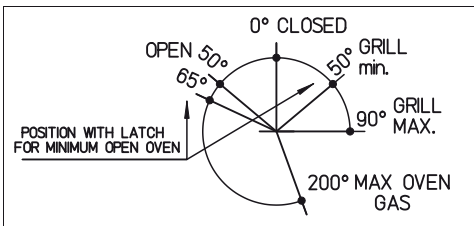


Model 33X-34

See next page

Available spindle rotation:

MODEL 33X



MODEL 34

