

MODELS 23-24-25

Two outlets thermostat with safety device

Construction

Body: Forged brass
Cone: Brass
Cap: Die cast aluminium alloy
Spindle: Brass

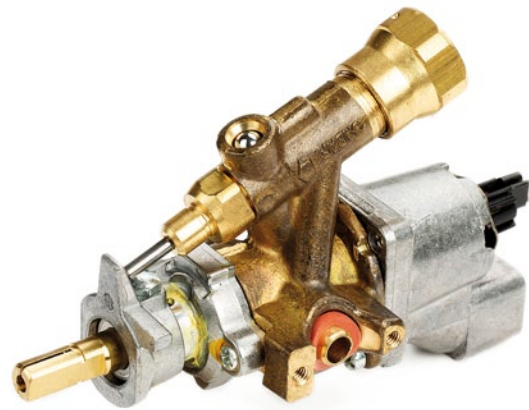
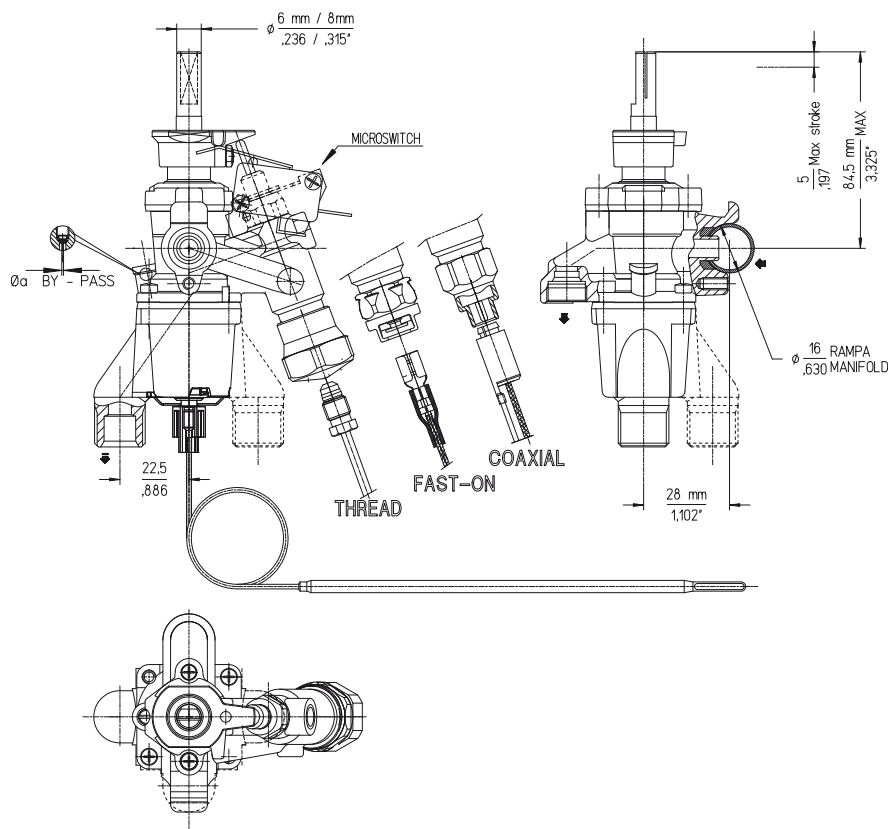
Connections

Standard Inlet: Round 16mm. Diameter (model 23, 23X)
Flange (model 24) Threaded M13X1 (model 25)
Standard Outlet: M13x1 female
Spindle dimension: 8x6,5mm.
Shape according to customer's request

Functional data

Maximum working temperature: 130°C
Maximum working pressure: 65 mbar
Flow: 470 l/h oven outlet – 380 l/h grill outlet (model 23, 23X)
530 l/h oven outlet – 380 l/h grill outlet (model 24, 25)
Internal leak tightness: ≤ 20 cc/h
Stroke: 5mm
Temperature setting range (from - to): 120°C - 315 °C

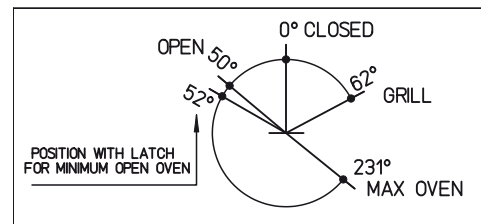
Overall dimensions



Installation

Maximum inlet torque: 1,5 Nm (model 23, 23X)
Maximum outlet torque: 15 Nm.
Maximum M8x1 thermocouple torque: 4 Nm

Spindle rotation diagram

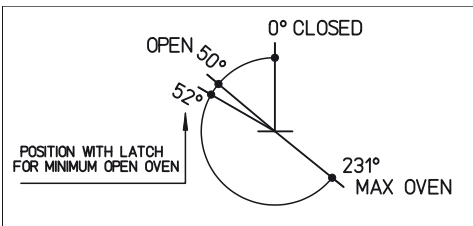


Other rotations

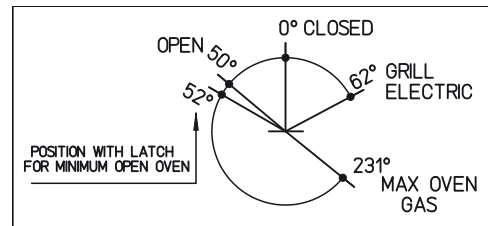
See next page 

Available spindle rotation:

MODEL 23



MODEL 23



MODEL 23X

