

# MODEL 20-21-22

One outlet thermostat with safety device

## Construction

**Body:** Forged brass  
**Cone:** Brass  
**Cap:** Die cast aluminium alloy  
**Spindle:** Brass

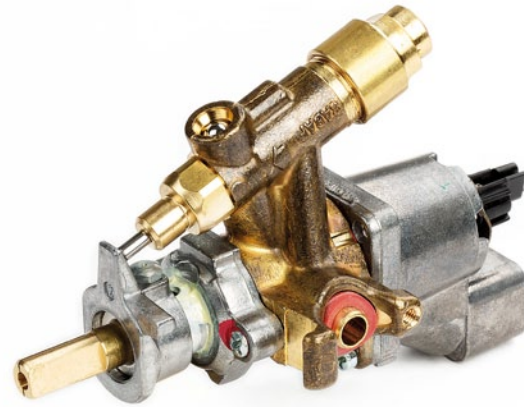
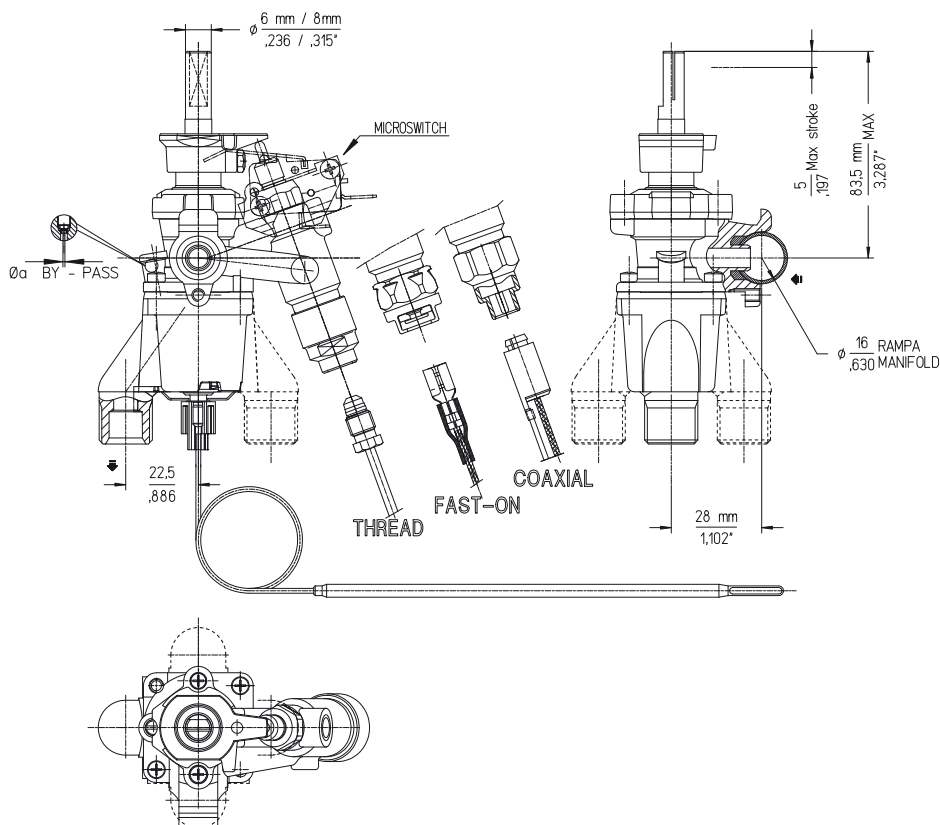
## Connections

**Standard Inlet:** Round 16mm. Diameter (model 20, 20G)  
Flange (model 21) Threaded M13X1 (model 22)  
**Standard Outlet:** M13x1 female  
**Spindle dimension:** 8x6,5mm.  
Shape according to customer's request

## Functional data

**Maximum working temperature:** 130°C  
**Maximum working pressure:** 65 mbar  
**Flow:** 480 l/h (model 20, 20G) 570 l/h (model 21, 22)  
**Internal leak tightness:** ≤ 20 cc/h  
**Stroke:** 5mm  
**Temperature setting range (from - to):** 120°C - 315 °C

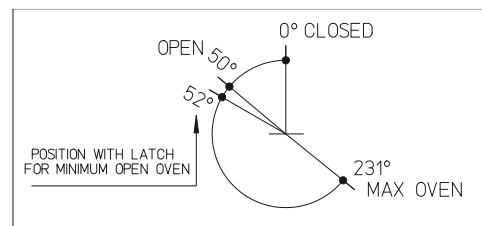
## Overall dimensions



## Installation

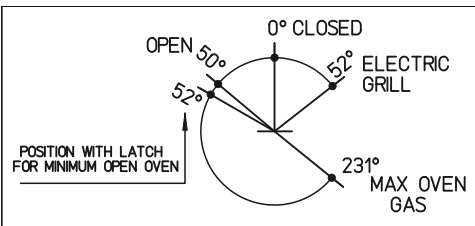
**Maximum inlet torque:** 1,5 Nm (model 20, 20G)  
**Maximum outlet torque:** 15 Nm.  
**Maximum M8x1 thermocouple torque:** 4 Nm

## Spindle rotation diagram

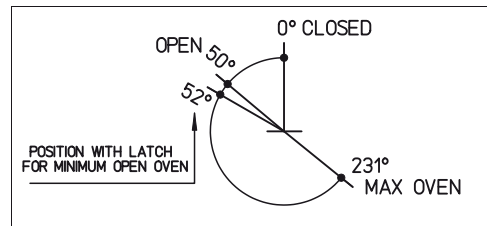


Available spindle rotation:

MODEL 20G



MODEL 21



MODEL 22

