

# MODEL 42

Extruded aluminium gas taps with safety device



## Construction

**Body:** Extruded aluminium alloy  
**Cone:** Aluminium alloy  
**Cap:** Die cast aluminium alloy  
**Spindle:** Aluminium

## Connections

**Standard Inlet:** Round 16mm. diameter  
**Standard Outlet:** M12x1 female  
**Spindle dimension:** 6x4,6mm.  
Shape according to customer's request

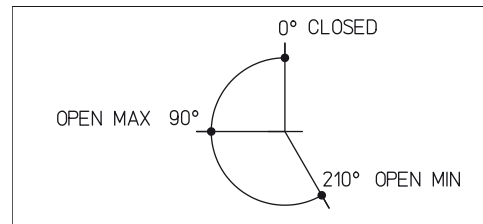
## Installation

**Maximum inlet torque:** 1,5 Nm.  
**Maximum outlet torque:** 15 Nm.  
**Maximum injector torque:** 4 Nm.  
**Maximum M8x1 thermocouple torque:** 4 Nm.

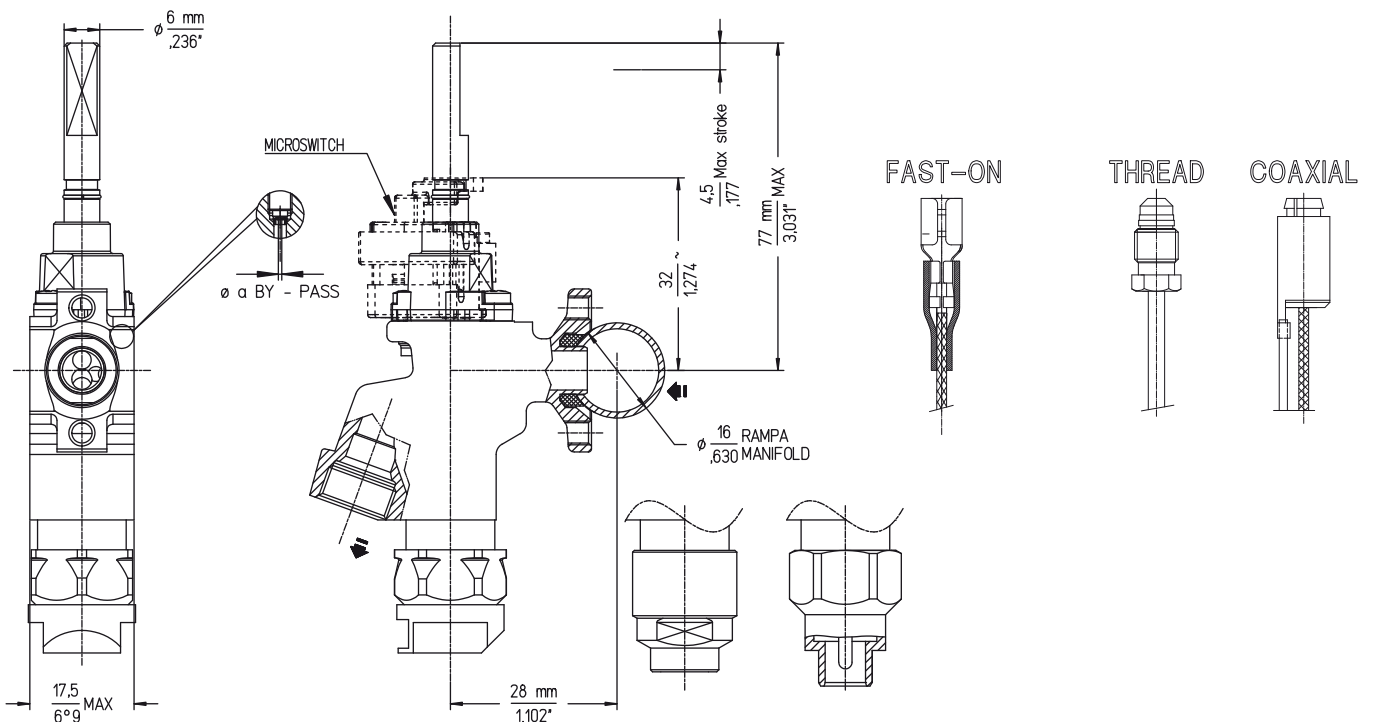
## Functional data

**Maximum working temperature:** 130°C (CE) or 150°C (CSA)  
**Maximum working pressure:** 65 mbar  
**Flow:** 330l/h  
**Internal leak tightness:** < 20 cc/h (at 150 mbar)  
**Stroke:** 4,5mm/3,6mm

## Spindle rotation diagram



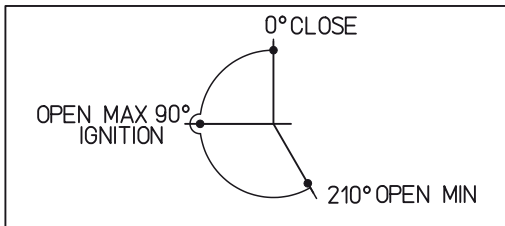
## Overall dimensions



Other rotations  
See next page

Available spindle rotation:

MODEL 42



MODEL 42E

